

**BROKK**

**170**

NEW 2018!

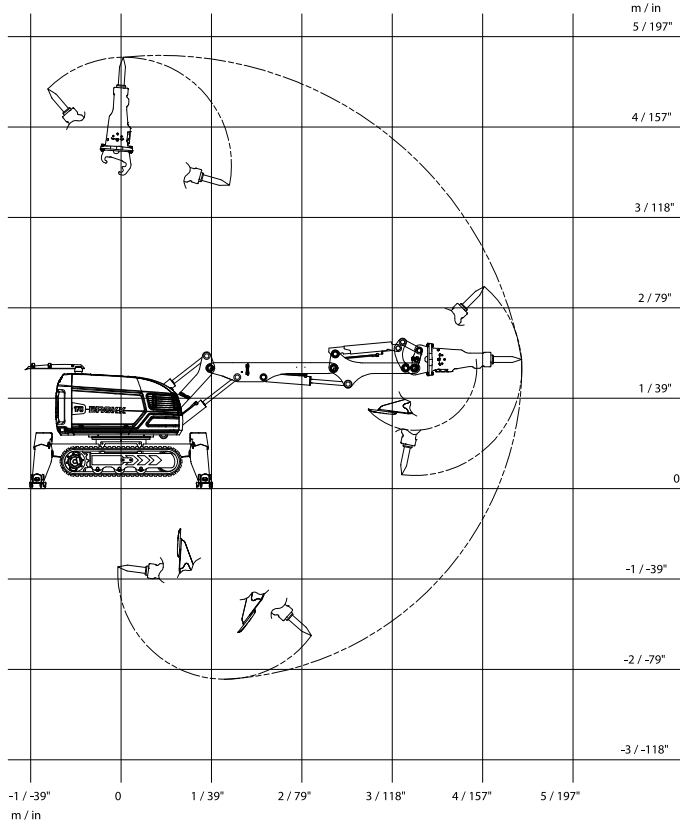


## The Lean Mean Demolition Machine

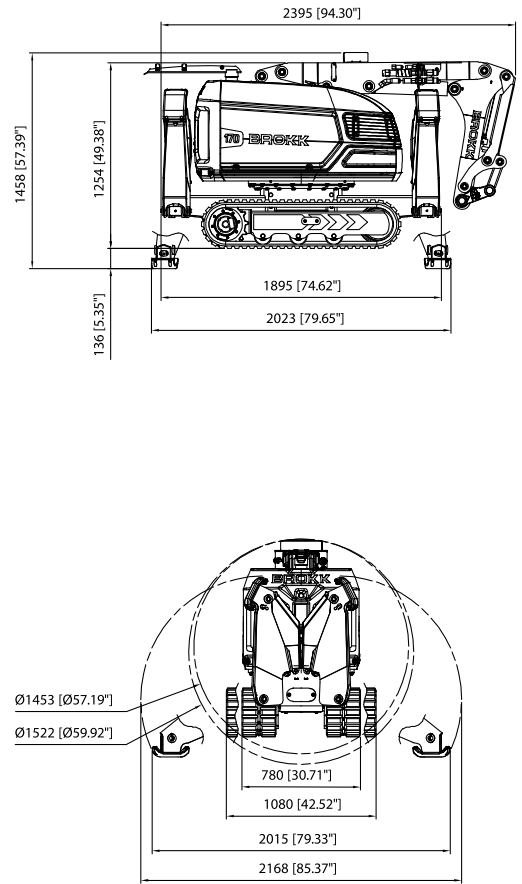
If you liked the Brokk 160 you'll love the **BROKK 170**. Taking the best from Brokk 160 and adding the full Brokk SmartConcept™ – the power of SmartPower™, the reliability of SmartDesign™, the ergonomics and productivity of SmartRemote™ – the Brokk 170 is the ultimate demolition machine for the construction industry. And don't let the size fool you. This new, lightweight machine gives you 15 % more power, packs a mean wallop with the breaker and brutal force with the crusher. Still, it's compact enough to get through standard door openings. A lean, mean demolition machine.

- New benchmark in breaker and crusher performance
- 24 kW Brokk SmartPower™ electrical system
- Brokk SmartDesign™ and SmartRemote™
- Can operate on 32 A fuse (and of course 63 A)
- Compatible with Brokk 160 attachments

## RANGE



## SIZE



## TECHNICAL DATA

Hydraulic breaker in illustrations BHB 205  
Load and stability diagram available on request

### Performance

Slewing speed 10 sec/360°  
Transport speed, max. 2,1 km/h; 1.3 mph  
Climbing inclination, max. 30°

### Hydraulic system

Hydraulic system capacity 85 l; 22.5 US gal  
Pump type Variable load-sensing  
System pressure 18 MPa; 2 611 psi  
Increased pressure to attachment 25 MPa; 3 626 psi  
Pump flow 50Hz 69 l/min; 18 US gal/min  
60Hz 83 l/min; 21 US gal/min

### Power system

Power technology SmartPower  
Electric motor type ABB  
Power\* 24 kW  
Recommended fuse size\* 63 A  
Starting device Soft start/Direct start

### Control system

Control type SmartRemote, portable control  
Signal code Digital  
Transfer Professional radio/Cable  
Range, radio Up to 300 m

### Weight

Machine weight\*\* 1 600 kg; 3 527 lbs  
Recommended attachment weight 270 kg; 595 lbs

### Noise level

Sound power level  $L_{WA}$ \*\*\* 87 dB(A)

\*Valid for 400V/50Hz and och 440V/60Hz

\*\*Excluding options and attachment

\*\*\*Measured according to directive 2000/14/EC, excl. attachment

## OPTIONS

### Arm System

Impact and heat protection for cylinder C2 and C3

### Undercarriage

Rubber caterpillar tracks  
Steel caterpillar tracks  
Dozer blade

### Heat resistance

Heat resistant hoses for hydraulic breaker  
Forced draft cooling of machine  
Forced draft cooling of breaker  
Steel pads for kiln demolition or furnace

### Other options

Air flushing through breaker to protect from dust  
Water spray through breaker to bind dust  
Extra hydraulic function  
Drainage hose  
CAN cable connection for tools  
Lifting eyes (regular lifting points are standard)

## TOOLS

