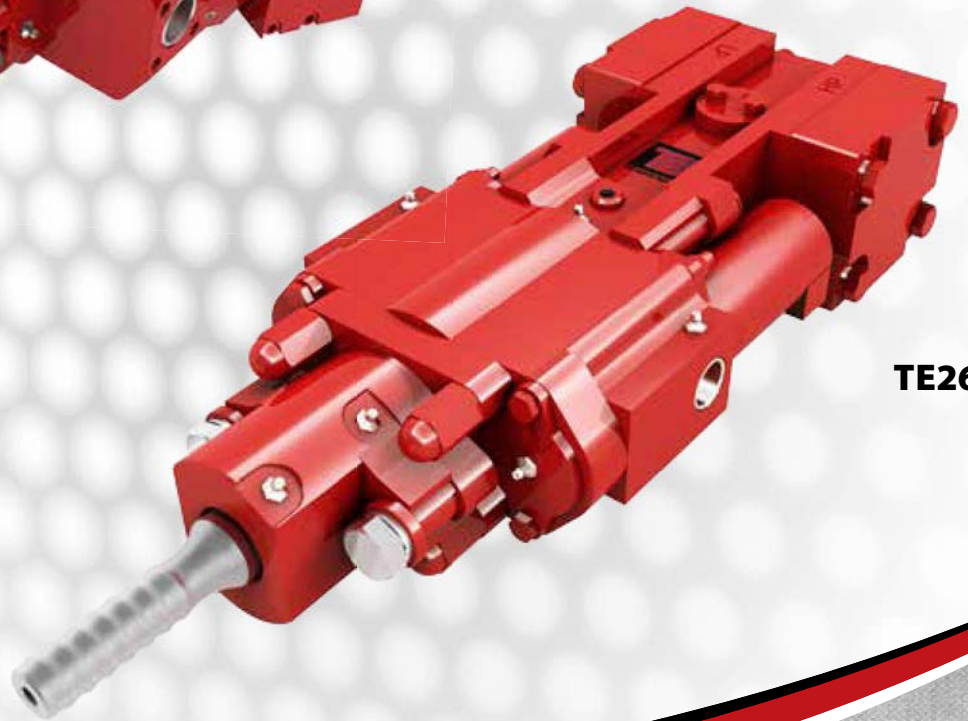
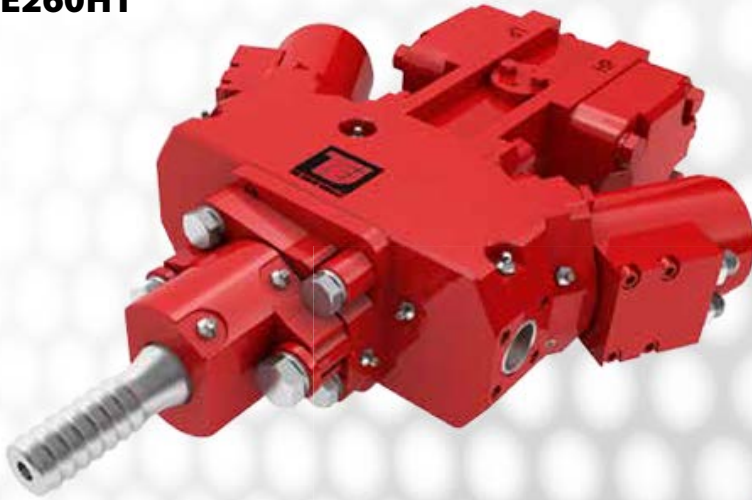


**TE260HT**



**TE260**

# **TE260HT & TE260**

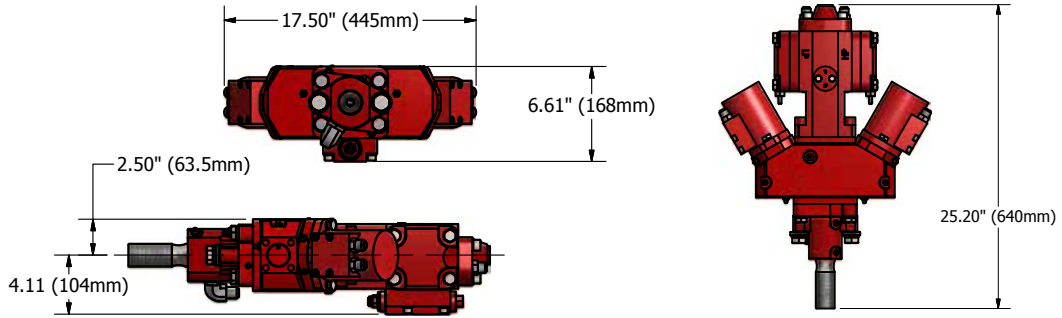
## **HYDRAULIC DRIFTER**

- Internal Percussion Dampening System
- Compact Design for Drifting & Tunneling
- High-Torque Design for Hollow Bars

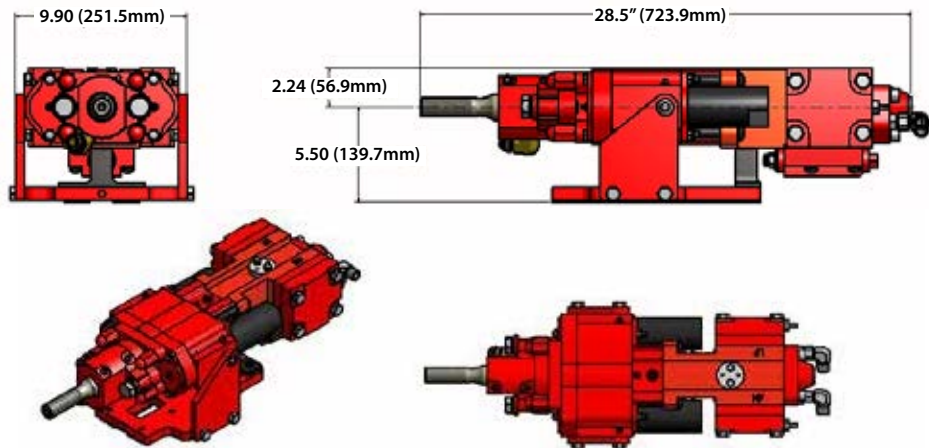


# TE260HT & TE260 | HYDRAULIC DRIFTER

## TE260HT



## TE260



	TE260HT		TE260	
	US	METRIC	US	METRIC
<b>Rotation Torque</b>	1,000 lbf-ft	1350 Nm	200 ft/lbs	27 daNm
<b>Rotation Speed</b>	0-250 RPM	0-250 RPM	Up to 250 RPM	Up to 250 RPM
<b>Rotation Flow</b>	8-14 GPM	30-53 LPM	5 GPM	19 LPM
<b>Weight</b>	182 lbs	83 kgs	144 Lbs	65 Kg
<b>Shanks Available</b>	1.0 Rope, 1.25 Rope, 1.50 Rope, T38, Williams 32, Williams 38, Titan 30, Titan 40			

	TE260 PERCUSSION UNIT	
	US	METRIC
<b>Impact Energy</b>	65-95 ft/lbs	88-129 joules
<b>Impact Frequency</b>	3600-5000 BPM	3600-5000 BPM
<b>Supply Pressure</b>	2250 PSI	155 bar
<b>Percussion Flow</b>	17 GPM	64 LPM
<b>Output Power</b>	9.85 HP	7.35 kW