

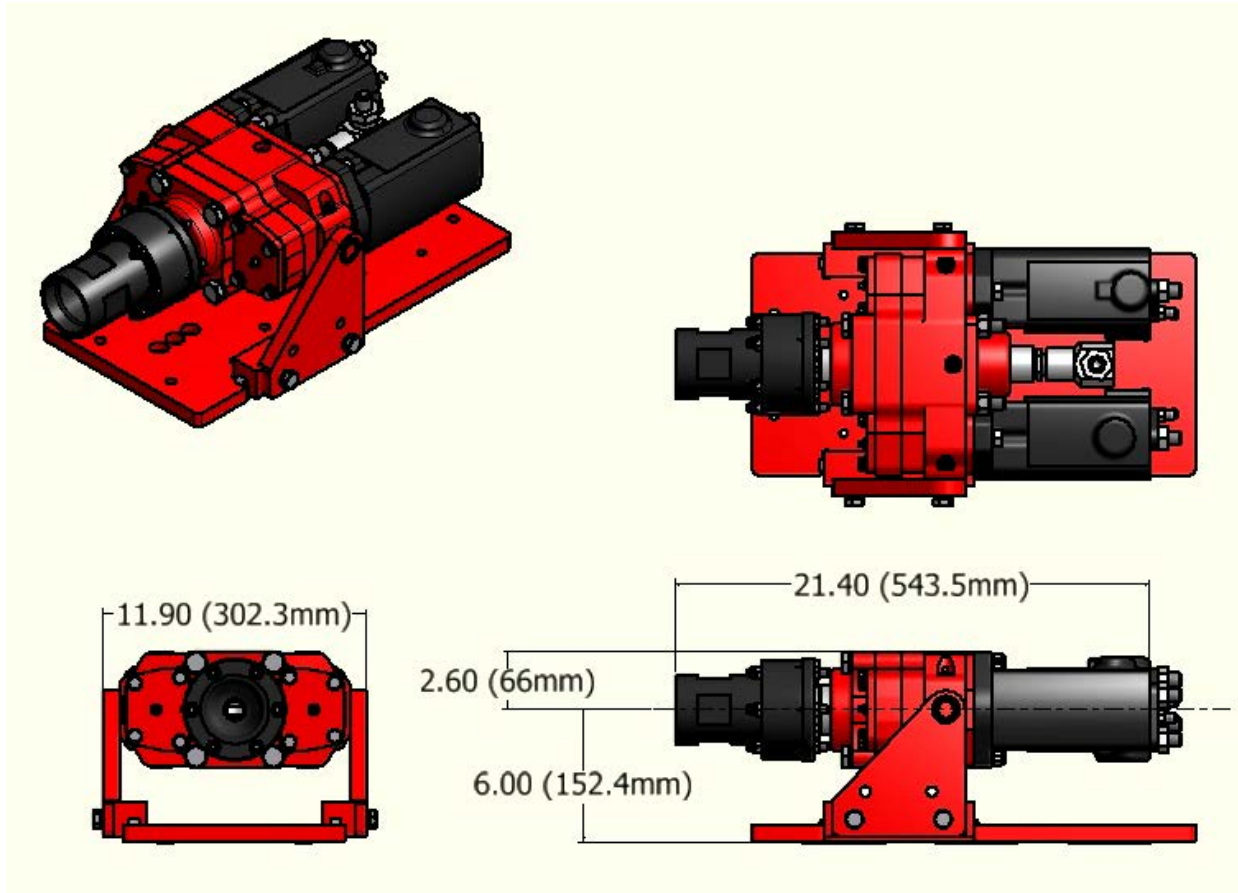
RDS350

ROTARY HEAD

A lightweight-compact hydraulic rotary head for drilling attachments and limited access drills. The RDS350 is designed for smooth operation and simple maintenance to be used for general rotary drilling applications.

- Flange Connection
- 2-Speed Rotary
- Optional Shock Sub

RDS350 | ROTARY HEAD



	US	METRIC
Rotation Torque	max 2000 ft/lbs	0-270 daNm
Rotation Speed	Up to 200 RPM	Up to 200 RPM
Supply Pressure	3,000 PSI	207 bar
Supply Flow	20 GPM	76 LPM
Flushing Shaft ID	1"	25 mm
Weight	137 Lbs	52 Kg
Output Threads	2-3/8" API Regular Male & Female, 3-1/2" API Regular Male & Female, 1-5/8" Auger Hex, Other Threads Available	

Used on PCF or HCF feed systems.

TEI technical specifications consider a 40% hydraulic power loss.