



**TEI ROCK DRILLS**



**MME**

# **HYDRAULIC DRILLING ATTACHMENT FOR MINI AND SMALL EXCAVATORS**

Ground Consolidation, Earth Retention, Rock Drilling

PO BOX 1309, MONTROSE, CO 81402 USA • (800) 777-3745 • (970) 249-1515 • [www.teirockdrills.com](http://www.teirockdrills.com)

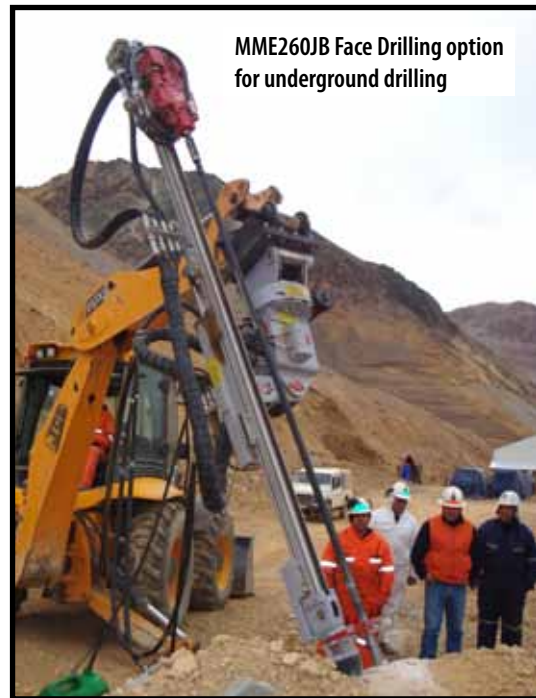
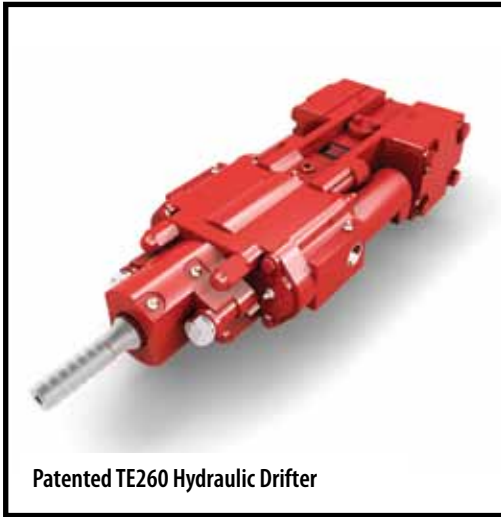


# MME | HYDRAULIC DRILLING ATTACHMENT FOR MINI AND SMALL EXCAVATORS



The MME is a lightweight drill for excavators 5-10 tons, incorporating many of the same features as the much larger HEM. The MME uses the same aluminum feed system as the man-portable drills. In this way many contractors consider the MME to be their "outside" drill while the man-portable drill is the "inside" drill. Using TEI's patented drifter technology the MME is an excellent tool for installing micropiles, soil nails, teibacks, rock drilling and the installation of the popular hollow bars.

# MME | HYDRAULIC DRILLING ATTACHMENT FOR MINI AND SMALL EXCAVATORS



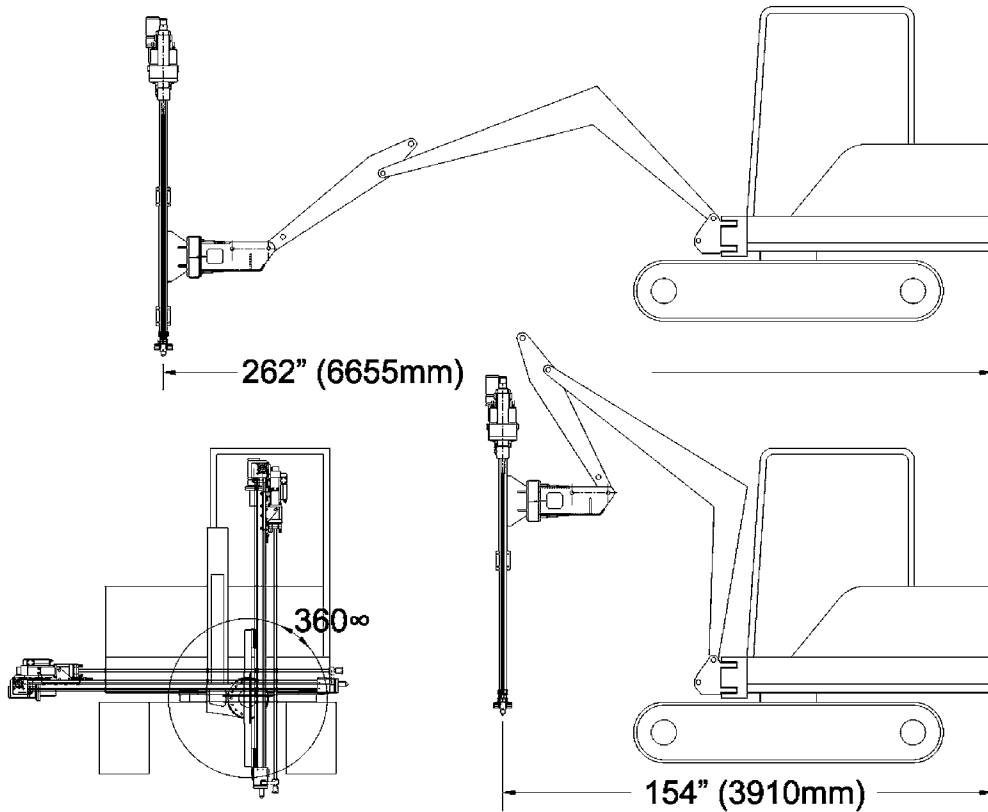
## Standard Features of the MME:

- TEI Patented Drifter or TEI Rotary Head
- ACF Aluminum Chain Feed for 3-meter Rods
- Radio Remote Controls with Manual Override
- MME Mount with 360-Degree Positioning
- HCA4 Single Hydraulic Foot Clamp

## Optional Features of the MME:

- Second 360-Degree Positioner
- Misting for Dust Suppression
- European Union Approved Safety Cage
- DM300 Hydraulic Power Pack

# MME | HYDRAULIC DRILLING ATTACHMENT FOR MINI AND SMALL EXCAVATORS



## MME DRILL TOOL WITH ACF10 FEED

	US	METRIC
MME260 System Flow and Pressure	25 GPM @ 2250 PSI	95 LPM @ 155 BAR
MME250R System Flow and Pressure	18 GPM @ 2500 PSI	69 LPM @ 172 BAR
MME260 Hole Size	1.375" to 2.0"	35mm to 52mm
MME250R Hole Size	2.75" to 4.0"	70mm to 102mm
ACF10 Drill Length	13.5 feet	4.1 meters
ACF10 Travel	10.5 feet	3.2 meters
ACF10 Pullback	1500 lbs.	680 kgs.
Approximate Drill Tool Weight	1080 lbs.	488 kgs.

Minimum Excavator Size: 5 TONS

**ALL ATTACHMENT CARRIERS MUST BE PLUMBED WITH LOW PRESSURE RETURN AUXILIARY HYDRAULICS.  
AN ADDITIONAL HYDRAULIC OIL COOLER IS RECOMMENDED FOR PRODUCTION DRILLING.**